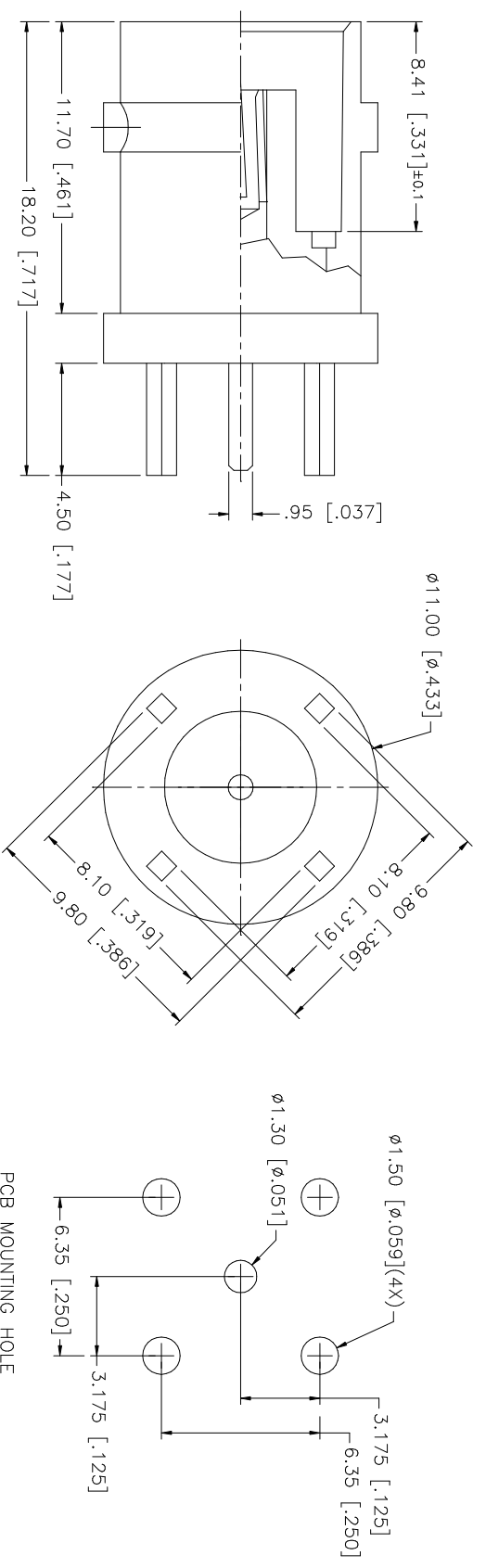


REV.	DATE	DESCRIPTION
A	01/06/03	UPDATE DRAWING FORMAT



QTY	FINISH	MATERIAL	DESCRIPTION
1	NICKEL	BRASS	LOCK RING
1	GOLD	PHOS. BRONZE	CONTACT PIN
1	NATURAL	TEFLON	INSULATOR
1	NICKEL	BRASS	BODY

UNLESS OTHERWISE SPECIFIED DIMENSIONS ARE IN INCHES DIMENSIONS SHOWN IN PARENTHESES ARE FOR CUSTOMER REFERENCE ONLY.	
TOLERANCES FOR MILLIMETERS ARE:	
0.5 - 8mm	± 0.20 mm
8 - 30mm	± 0.40 mm
30 - 120mm	± 0.50 mm
UNLESS OTHERWISE SPECIFIED TOLERANCES FOR INCHES ARE:	
.020 - .315	± 0.007 "
.315 - 1.180	± 0.015 "
1.180 - 4.724	± 0.020 "

APPROVALS	DATE
DRAWN G.R.S.	01/06/03
CHECKED	
ISSUED	

CAD FILE	C:/112/112404.DWG
DWG. NO.	112404.DWG
REV.	A
SIZE	A
SCALE	NA

PART DESCRIPTION	
BNC P.C. MOUNT RECEIPT JACK	
PART NO.	112404
SHEET	1 OF 1

Amphenol Connex